

Multipurpose cold milling machine catering to a wide range of applications.

Cold Milling Machine W 35 Ri





THE MANEUVERABLE COLD MILLING MACHINE IS THE IDEAL CANDIDATE FOR MILLING OPERATIONS IN RESTRICTED SPACE CONDITIONS.

THE RANGE OF APPLICATIONS CAN BE BROADENED BY USING NUMEROUS DIFFERENT MILLING DRUMS SUITABLE FOR INSTALLATION IN 1 FT 2 IN (0.35-M) OR 1 FT 8 IN (0.5-M) WIDE MILLING DRUM HOUSINGS.

THE MACHINE IS ALSO EMINENTLY SUITABLE FOR REHABILITATION PROJECTS IN FACTORY BUILDINGS OR MULTI-STOREY CAR PARKS.

IT IS DISTINCTIVE FOR ITS LOW WEIGHT AND VARIABLE SUPPLEMENTARY WEIGHTS TO OPTIMIZE BALANCING AND TRACTION ACROSS A WIDE RANGE OF APPLICATIONS.

THE LEVEL PRO **PLUS** LEVELING SYSTEM IS INTEGRATED INTO THE MACHINE MANAGEMENT SYSTEM AND ENSURES HIGHLY PRECISE MILLING RESULTS.

Multipurpose cold milling

machine catering to a wide

range of applications



At a glance: outstanding features of the cold milling machine

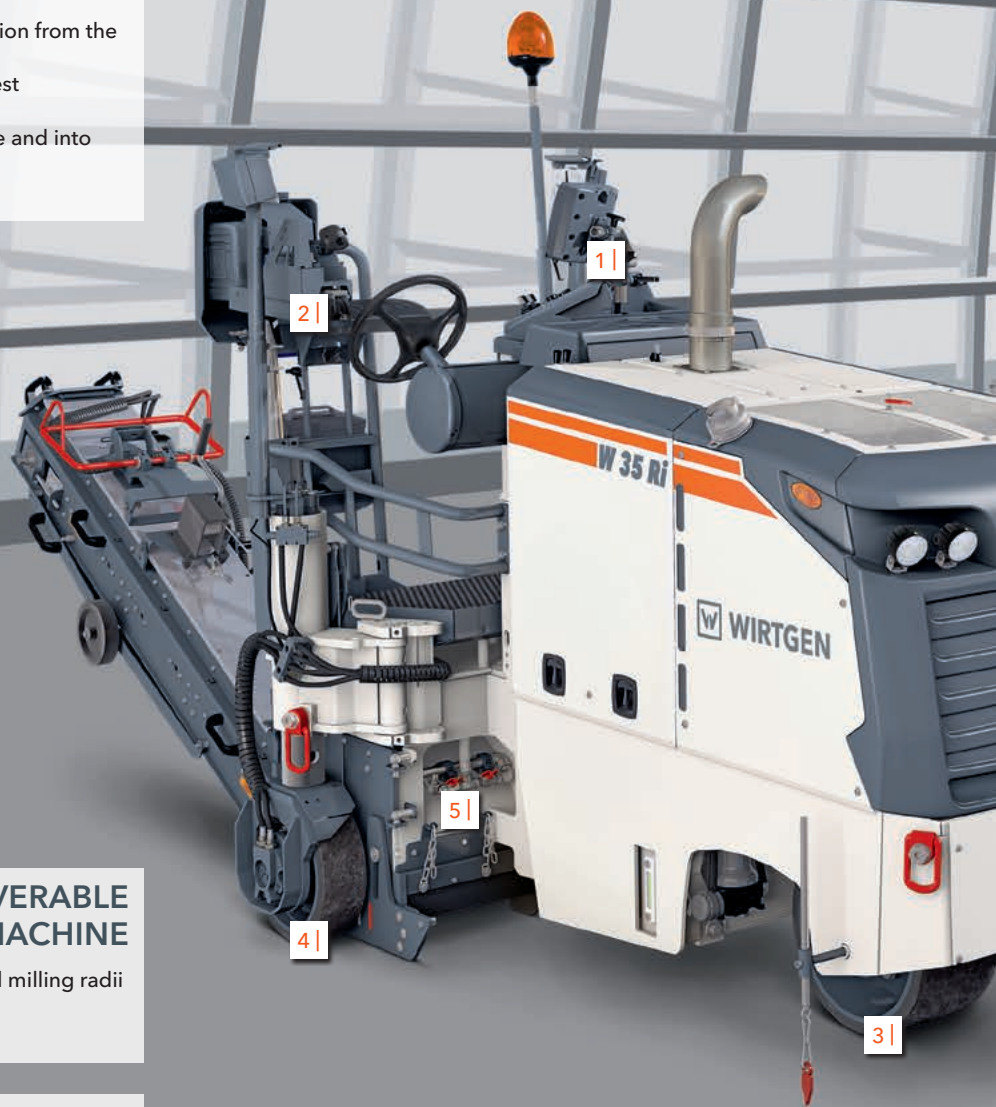
04
05

1 | HIGH-PRECISION, INTUITIVE LEVELING WITH LEVEL PRO *PLUS*

- > High-precision LEVEL PRO *PLUS* leveling system
- > Quick-response electronic slope sensor
- > Leveling by means of laser technology

2 | EASE OF OPERATION IN LINE WITH ERGONOMIC PRINCIPLES

- > Operator's platform permitting flexible operation from the top or from the rear of the machine
- > Ergonomically designed multifunctional armrest
- > Simple, intuitive operating concept
- > Unobstructed view of the right-hand side plate and into important work areas
- > Display screen for machine parameters



3 | EXTREMELY MANEUVERABLE AND COMPACT MACHINE

- > Excellent maneuverability and extremely small milling radii
- > Extra compact machine design
- > Hydraulic steering system for precise steering

4 | PRECISE STEERING AND OUTSTANDING TRACTION

- > Hydraulic all-wheel drive for outstanding traction
- > Precise height adjustment
- > Memory feature for height adjustment
- > Electronic traction drive control for precise milling results

71

HIGH PRODUCTIVITY AT LOW ENVIRONMENTAL EMISSIONS

- > High-powered engine complying with exhaust emission standards EU Stage IIIb/US EPA Tier 4 Final
- > Optional diesel particulate filter
- > Variable supplementary weights of up to 3,086 lbs (1,400 kg)
- > State-of-the-art WITOS® FleetView telematics system for efficient operation
- > Ideal arrangement of LED working lights



51

FLEXIBILITY IN MILLING APPLICATIONS

- > Wear-resistant HT08 toolholder system
- > Manually lifting side plate, right
- > Efficient, load-controlled water spray system at the milling drum
- > Milling drum housing for working widths of up to 1 ft 2 in (350 mm) or 1 ft 8 in (500 mm)
- > Quick exchange of milling drums
- > Three different milling drum speed options
- > Milling power control for maximum advance speeds

61

HIGH MATERIAL LOADING PERFORMANCE

- > Slewing and height-adjustable loading conveyor
- > Hydraulically lifting conveyor support
- > Quick mounting and removal of the loading conveyor by one person only



EVERYTHING UNDER CONTROL

IN FULL CONTROL OF THE W 35 Ri SMALL MILLING MACHINE: CLEARLY STRUCTURED CONTROLS ARRANGED WITH ERGONOMIC PRINCIPLES IN MIND. A PERFECT VIEW OF IMPORTANT WORK AREAS. ON BOARD: THE INTUITIVE LEVEL PRO *PLUS* LEVELING TECHNOLOGY. A SECOND OPERATOR'S PLATFORM BEHIND THE MILLING DRUM. W 35 Ri: REDUCED STRESS - TREMENDOUS OUTPUT.

Highlights

in operation



High-precision, intuitive leveling with **LEVEL PRO PLUS**

08
09

In cold milling operations, it is of vital importance to remove the pavement layers to the specified depth. The intuitive WIRTGEN **LEVEL PRO PLUS** leveling technology can be relied on to precisely maintain the specified milling depth.

HIGH-PRECISION LEVELING SYSTEM

The **LEVEL PRO PLUS** leveling system programmed specifically for cold milling machines offers free menu configuration and intuitive one-hand operation via a rotary control. Highly precise milling results are one of the hallmarks of the **LEVEL PRO PLUS** system. Full integration of **LEVEL PRO PLUS** into the machine management system ensures a high level of automation.

QUICK-RESPONSE SLOPE SENSOR

The quick-response electronic RAPID SLOPE cross slope sensor ensures highest precision in the pavement's cross slope profile. The slope sensor permits significantly higher operating speeds while maintaining the leveling quality.

LEVELING BY MEANS OF LASER TECHNOLOGY

Laser sensors mounted on the machine operate in combination with a stationary rotating laser transmitter which creates an artificial spatial reference surface. Highly precise leveling by means of laser sensors is suitable, for example, for indoor milling operations. Rotating lasers are not included in our product portfolio.

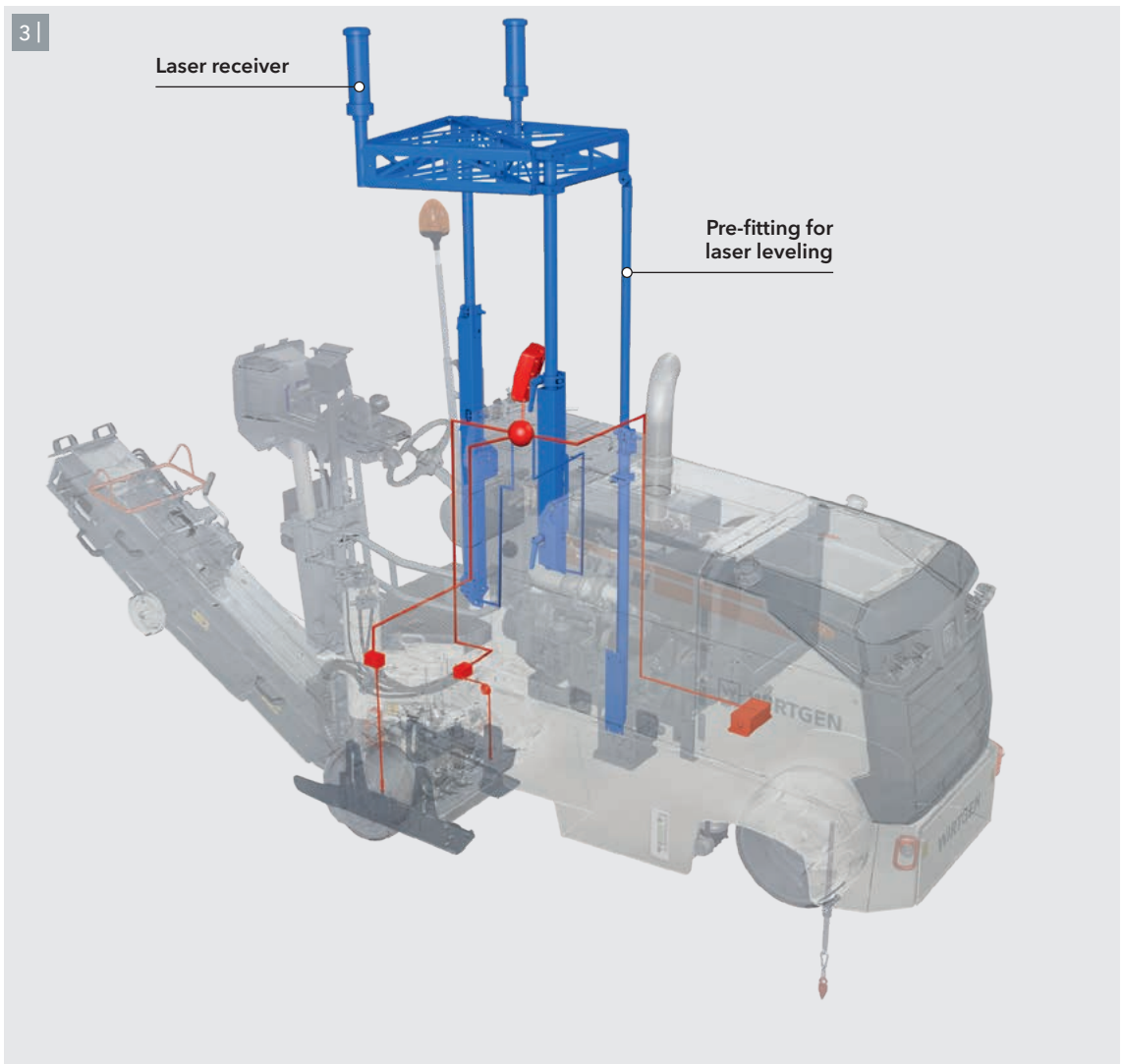
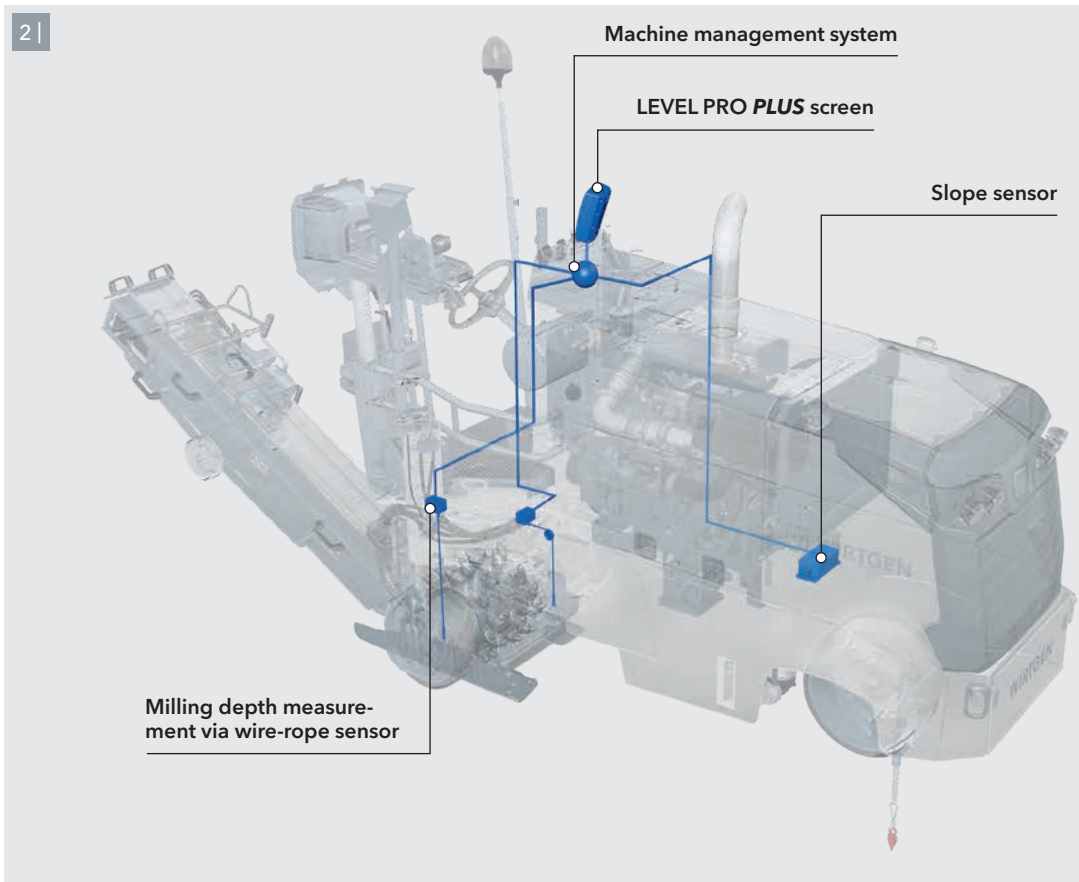
1 |



1 | **LEVEL PRO PLUS** is synonymous with perfect leveling quality at high operating speeds.

2 | The leveling system **LEVEL PRO PLUS** can be operated with different sensors.

3 | Pre-fitting the machine for laser leveling and the use of an external rotating laser enable the use of laser receivers. Laser leveling requires the machine to be equipped with **LEVEL PRO PLUS**.



Ease of operation in line with ergonomic principles

10
11

Operation of the W 35 Ri is easy and fully integrated into the standardized operating concept of the entire fleet of WIRTGEN small milling machines, allowing productive operation right from the start.

VARIABLE OPERATOR'S PLATFORM

To permit flexible operation in line with ergonomic principles, the operator's platform of the small milling machine can be arranged either on top or at the rear of the machine. Switching from one position to the other is completed quickly and easily right on site.

ERGONOMICALLY DESIGNED MULTIFUNCTIONAL ARMREST

The armrest with multifunctional joystick can be adjusted to the operator's personal preferences and permits quick operation in line with ergonomic principles.

INTUITIVE OPERATING CONCEPT

The simple operating concept improves operator performance, thus increasing the productivity of the small milling machine.

FULL VISIBILITY

An unobstructed view towards the front and the milling edge, to the right-hand side plate and towards the rear permits effective operation in line with field requirements.

DISPLAY SCREEN

Important machine parameters are shown clearly on the screen mounted in the operator's field of view.

11



1 | The ergonomically designed operator's platform with multifunctional armrest boosts machine productivity.

2 | The operator needs one hand only to be in full control.

3 | The operator's platform with two variable workplaces increases the machine's range of applications.







Highlights in driving and steering

SPEED AND MANEUVERABILITY ON THE MOVE

COMPACT IN DESIGN. MANEUVERABLE IN OPERATION. QUICK IN COMPLETING THE JOB. TO TURN EACH AND EVERY CORNER. TO BE SUCCESSFUL EVEN IN RESTRICTED SPACE CONDITIONS. AND TO BE THE FIRST TO GET TO THE NEXT JOB LOCATION. TURNING AND MANEUVERING BECOMES AN EASY EXERCISE WITH THE QUICK AND AGILE SMALL MILLING MACHINE.

Extremely maneuverable and compact machine

The outstanding maneuverability of the extremely compact W 35 Ri small milling machine permits operations in the restricted space conditions of a milling site to be completed much more easily and quickly.

OUTSTANDING MANEUVERABILITY

The machine's large steering angles permit quick maneuvering and turning on the construction site. In addition, they provide the machine with the smallest inside milling radius in this machine class.

1 | *The machine's extremely large steering angles facilitate operation on construction sites offering limited space.*

COMPACT MACHINE DESIGN

The exceptionally compact design of the small milling machine not only enables it to operate in extremely restricted space conditions and pass through narrow workshop doors but also ensures ease of transport.

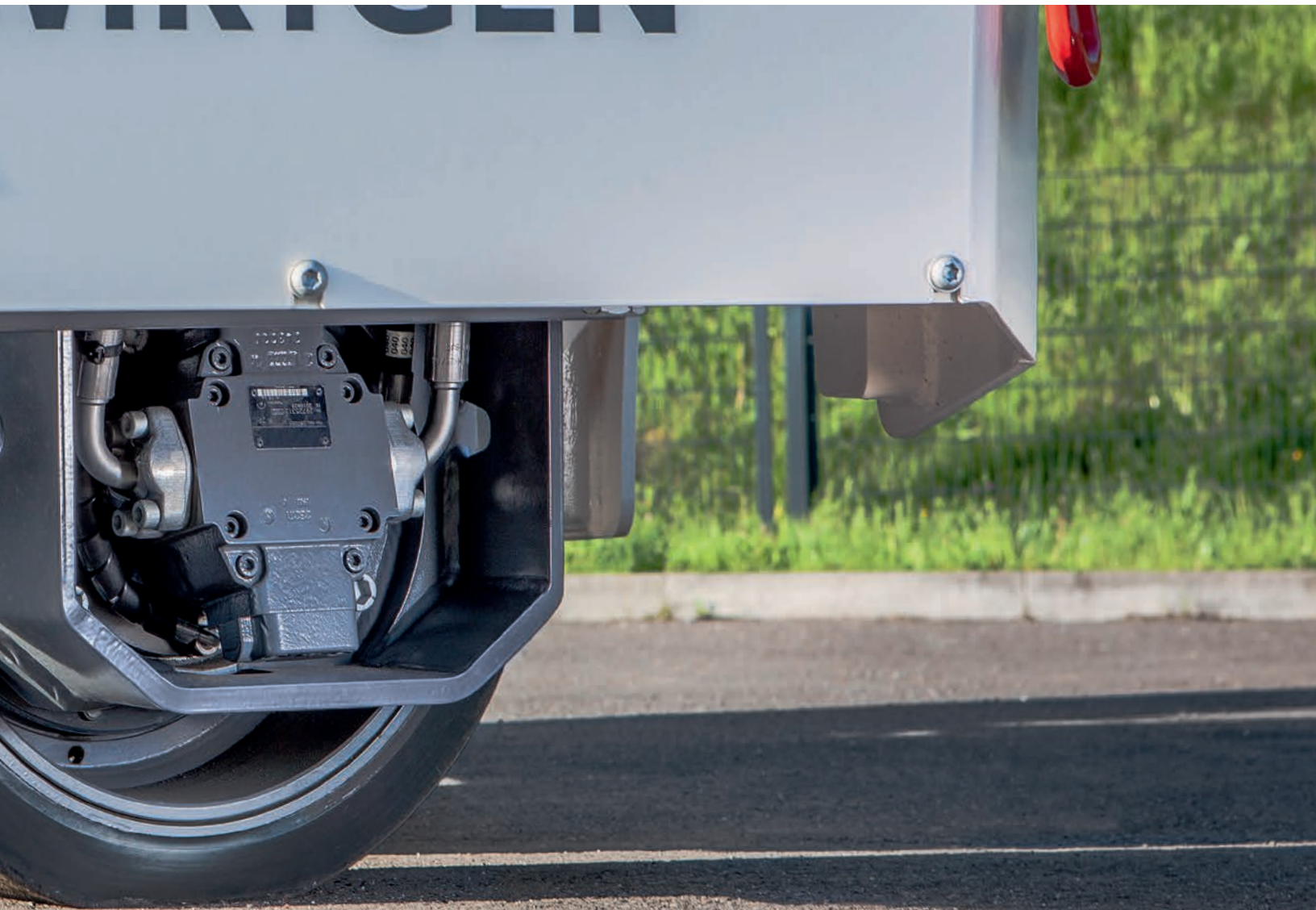
HIGH-PRECISION STEERING

Quick, yet precise steering is ensured by the machine's hydraulic steering system. When operating the machine from the platform at the rear, steering can be conveniently effected electronically via the steering function integrated in the multifunctional joystick.



1 |

2 | Quick maneuvering in narrow passages is an easy exercise for the small milling machine because the right-hand rear wheel can simply be pivoted in front of the milling drum.



Precise steering and outstanding traction

16
17

The W 35 Ri is equipped with a highly responsive steering system which permits maximum precision, for example, when milling along hydrants or storm drains. In addition, continuous milling is always ensured thanks to optimum traction.

HYDRAULIC ALL-WHEEL DRIVE

The machine's hydraulic all-wheel drive offers high traction both in challenging site conditions and during material loading.

PRECISE HEIGHT ADJUSTMENT

The electrohydraulic two-stage height adjustment feature enables precise adjustment of the milling depth.

MEMORY FEATURE FOR HEIGHT ADJUSTMENT

For quick, convenient machine height adjustment, three different positions for each machine side can be stored on memory buttons integrated in the multifunctional armrest.

ELECTRONIC TRACTION DRIVE CONTROL

Electronic traction drive control with one transport speed and two milling speeds permits precise maneuvering to achieve highly precise milling results.



1 | - 2 | Electronic traction drive control enables precise milling along road fixtures for example.



Highlights in

milling and loading





VERSATILITY IS THE KEY

WHETHER MILLING SMALLER PAVEMENT SECTIONS. MILLING AROUND MANHOLE COVERS. PLACING OR REMOVING ROAD MARKINGS. PERFORMING REWORK AS THE SMALL PARTNER OF LARGE MILLING MACHINES. EQUIPPED WITH A WIDE VARIETY OF DIFFERENT MILLING DRUMS. AND WITH THE INNOVATIVE WIRTGEN CUTTING TECHNOLOGY. THE VERSATILE W 35 Ri SMALL MILLING MACHINE HAS THE RIGHT SOLUTION TO ALMOST EVERYTHING.

Flexibility in milling applications

A host of smart solutions for the milling drum, side plates and scraper speed up and simplify the milling process while at the same time improving the quality of the milling result.

HARD-WEARING HT08 TOOLHOLDER SYSTEM

The HT08 toolholder system impresses with outstanding wear resistance and an extended lifespan.

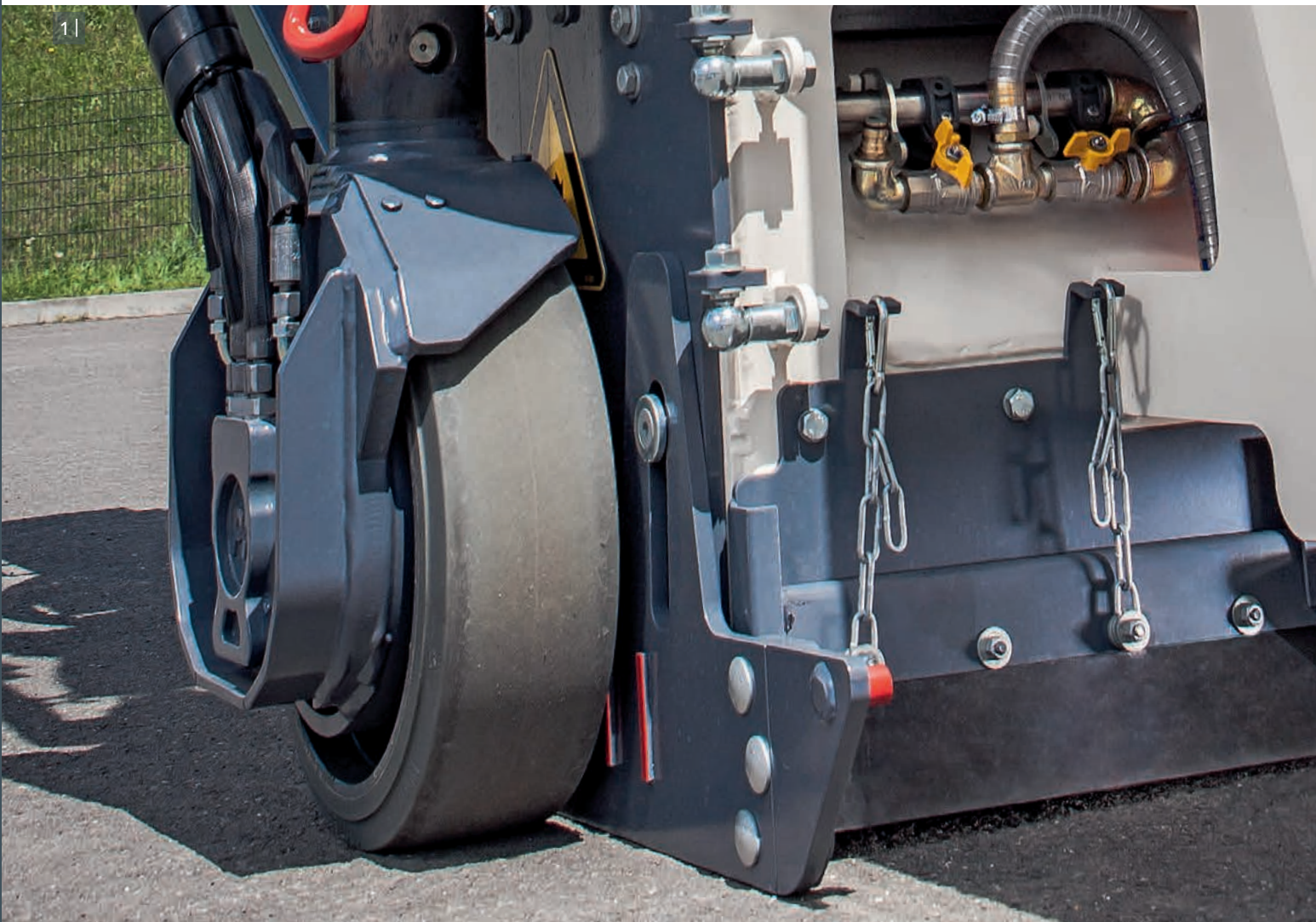
LIFTING SIDE PLATE, RIGHT

Side plates on the left and right provide effective closure of the drum housing and ensure clean loading of the milled material. The right-hand side plate can be easily lifted by means of a foot pedal when driving over obstacles such as curbs.

1 | *The right-hand side plate can be lifted by means of a foot pedal.*

POWERFUL, LOAD-CONTROLLED WATER SPRAY SYSTEM

The powerful, load-controlled water pump teams up with the water spray bar to ensure reliable tool cooling and extended uptimes and to prevent dust development. In addition, it provides consistently high water pressure to allow easy cleaning of the machine on site.



2 | The water spray system offers ready access, and the individual spray nozzles can be easily removed for cleaning.

3 | Pick replacement is an easy and convenient exercise after opening the milling drum door.



Flexibility in milling applications

MILLING DRUM HOUSING FOR WORKING WIDTHS OF UP TO 1 FT 2 IN (350 MM) AND 1 FT 8 IN (500 MM)

In standard design, the milling drum housing accommodates milling drums with a working width of up to 1 ft 2 in (350 mm); milling drums with a working width of up to 1 ft 8 in (500 mm) can be installed in accordance with customer requirements. A wide array of original WIRTGEN standard and special milling drums are offered.

QUICK EXCHANGE OF MILLING DRUMS

Milling drums are exchanged quickly thanks to the wide-opening door on the right-hand side and intelligent mounting aids.

1 | A wide variety of different milling drums caters to a wide range of applications.

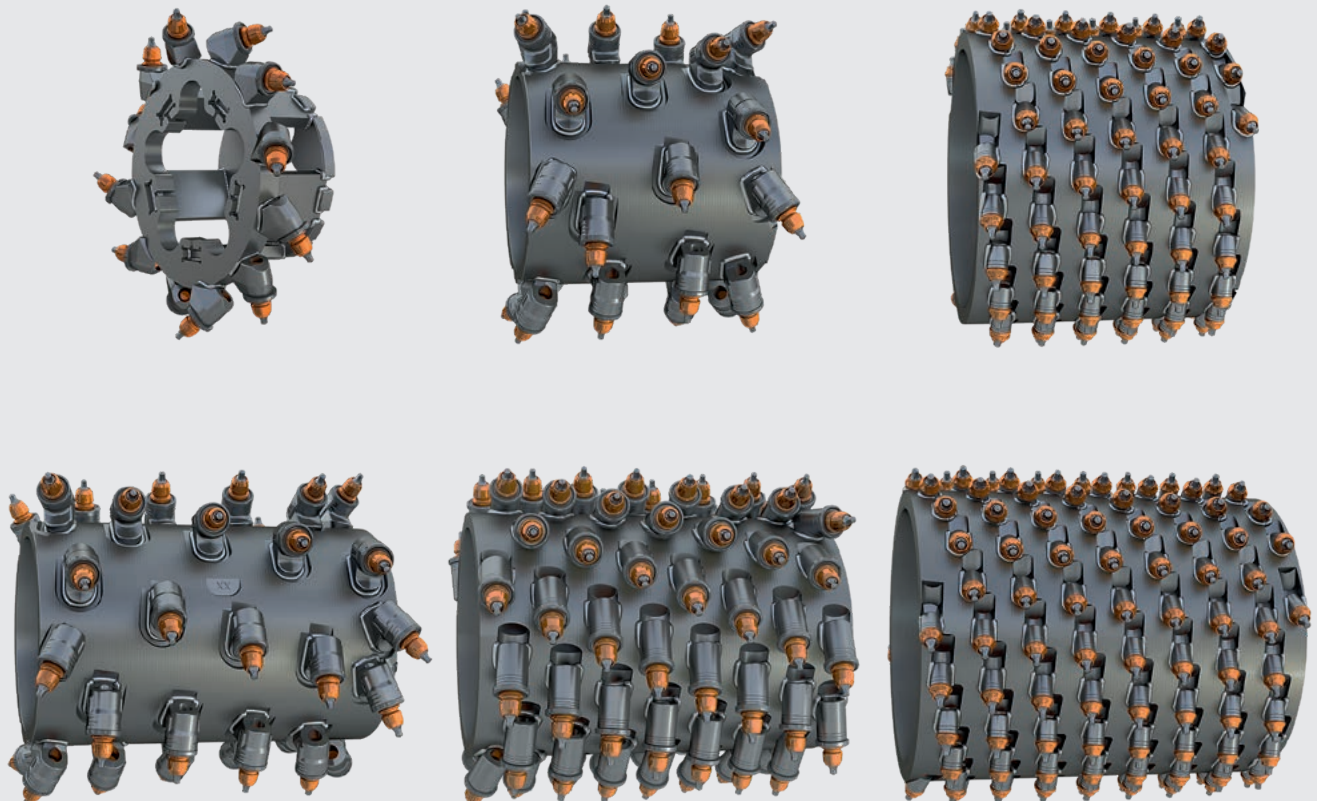
THREE DIFFERENT MILLING DRUM SPEED OPTIONS

Three different milling drum speeds ensure high milling performance in a wide range of applications.

MILLING POWER CONTROL FOR MAXIMUM ADVANCE SPEEDS

The engageable electronic load limit controller governs the advance speed in accordance with the engine load, thus enabling the small milling machine to always work at the ideal milling speed.

1 |



High material loading performance

Everybody who has ever had to remove the milled material from a milling cut in a toilsome manual operation will soon come to appreciate the slewing and height-adjustable loading conveyor of the W 35 Ri rear loader. It can be relied on to effectively load the granulated material, for example, into the bucket of a wheel loader.

SLEWING AND HEIGHT-ADJUSTABLE LOADING CONVEYOR

The slewing and height-adjustable loading conveyor makes easy work of loading the milled material even in difficult site conditions. The cross slope is adjusted conveniently by means of a winch.

HYDRAULICALLY LIFTING CONVEYOR SUPPORT

The hydraulically lifting conveyor support and hydraulic scraper not only ensure clean loading of the milled material but also permit partial loading as required.

QUICK MOUNTING AND REMOVAL OF THE LOADING CONVEYOR

The intelligent design permits quick mounting and removal of the loading conveyor by one person only. The roller unit enables the detached loading conveyor to be easily moved around the construction site.

1 | Flexible adjustment options enable the conveyor to safely load the milled material into the bucket of a wheel loader.



Highlights in

performance and productivity





SMALL MACHINE: BIG PERFORMANCE

SMALL COLD MILLING MACHINES LIKE THE WIRTGEN W 35 Ri ARE CAPABLE OF ACHIEVING HIGH PERFORMANCE LEVELS. HIGH-TORQUE - THANKS TO ELECTRONIC ENGINE MANAGEMENT. EFFICIENT IN OPERATION - THANKS TO INNOVATIVE TECHNOLOGIES SUCH AS WIDRIVE AND WITOS® FLEETVIEW. MEETING ENVIRONMENTAL STANDARDS - THANKS TO STATE-OF-THE-ART ENGINE TECHNOLOGY. W 35 Ri: THE SMALL MILLING MACHINE THAT MAKES IT BIG.

High productivity at low environmental emissions

26
27

The W 35 Ri provides contractors with perfectly engineered milling technology - a prerequisite for safety of use and consistently high daily performance levels. It makes easy work even of construction projects specifying extremely strict exhaust emission limits.

POWERFUL DIESEL ENGINE IN EXHAUST EMISSION STANDARDS EU STAGE IIIb/US EPA Tier 4 FINAL

The powerful diesel engine with temperature-controlled fan speed ensures quiet, economical operation and high reserve capacities for the quick completion of milling operations regardless of the milling depth. The engine complies with the currently strictest exhaust emission standards EU Stage IIIb/US EPA Tier 4 Final.

OPTIONAL DIESEL PARTICULATE FILTER

A diesel particulate filter is optionally available as original

equipment to ensure compliance with even stricter emission requirements, for example, during indoor operations.

VARIABLE SUPPLEMENTARY WEIGHTS

The wide ballasting range comprising separately removable weight slabs of up to 3,086 lbs (1,400 kg) altogether increases the machine's range of applications.

WITOS® FLEETVIEW TELEMATICS SYSTEM

The efficient WIRTGEN WITOS® FleetView telematics system supports fleet management, machine position and status monitoring, as well as maintenance and diagnostic procedures.

LED WORKING LIGHTS

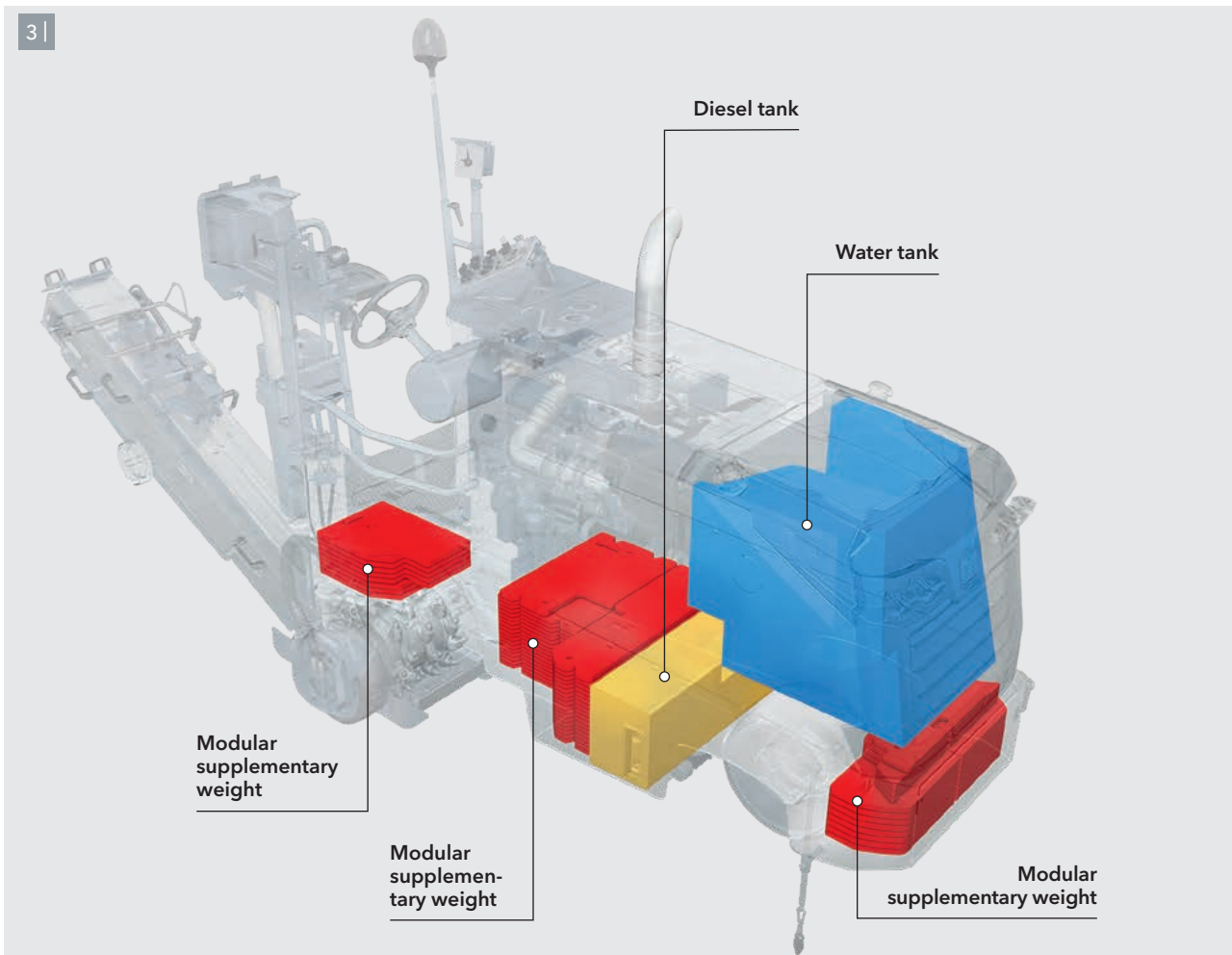
Ideal arrangement of the LED working lights ensures full illumination of the entire machine and its surroundings.



1 | Ready access to machine components ensures ease of maintenance.

2 | LED working lights provide exceptional visibility and safety during night operations.

3 | Supplementary weights ensure high traction in every job and can be removed to permit milling inside of buildings with limited bearing capacity.



Technical specification

28
29

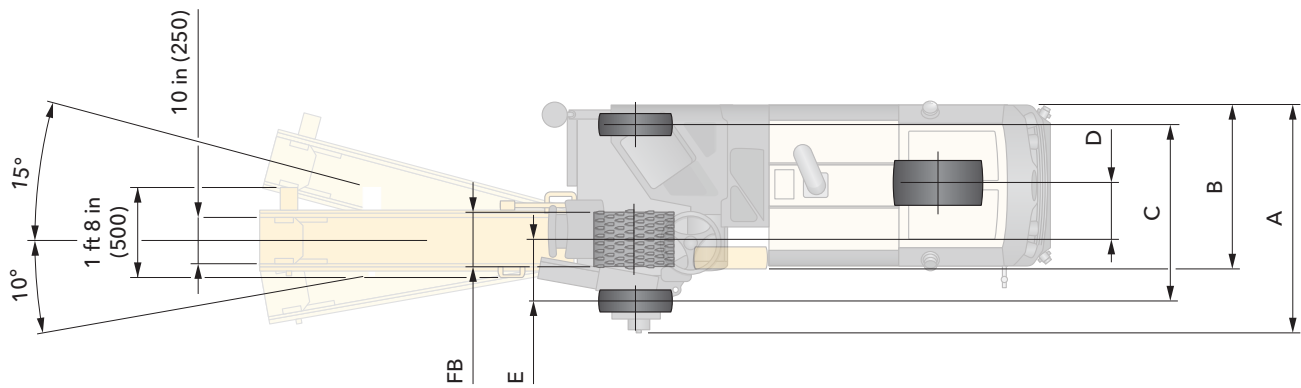
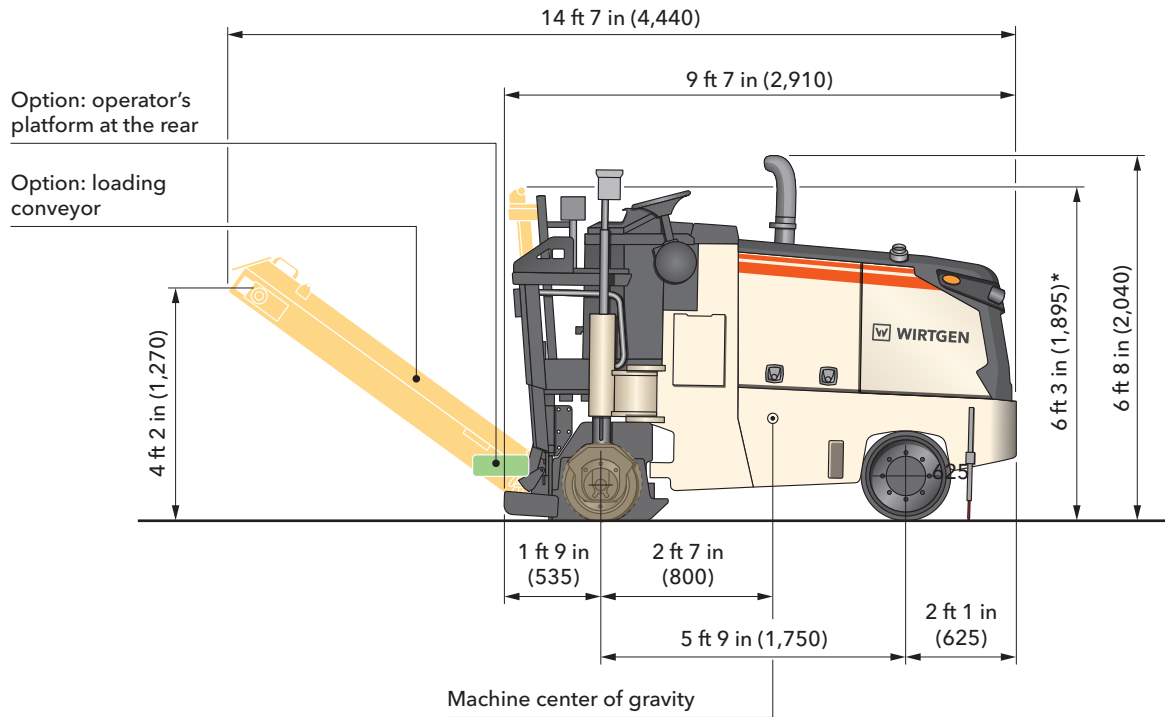
	Standard FB350	Optional FB500
Milling drum		
Milling width	1 ft 2 in (350 mm)	1 ft 8 in (500 mm)
Milling depth *1	0 to 4 in (0 to 110 mm)	
Drum diameter with tools	1 ft 6 in (460 mm)	
Engine		
Manufacturer	Deutz AG	
Type	TCD 2.9 L4	
Cooling	Water	
Number of cylinders	4	
Rated power at 2,300 rpm	45 kW/60 HP/61 PS	
Maximum power at 2,300 rpm	45 kW/60 HP/61 PS	
Displacement	179 in ³ (2,925 cm ³)	
Fuel consumption at rated power	3.5 gph (13.2 l/h)	
Fuel consumption in field mix	2.3 gph (8.8 l/h)	
Exhaust emission standards	EU Stage IIIb/US EPA Tier 4f	
Electrical system		
Voltage supply	24 V	
Tank capacities		
Fuel tank	18.5 gal (70 l)	
Hydraulic fluid tank	8.5 gal (32 l)	
Water tank	72.6 gal (275 l)	
Driving performance		
Max. milling speed	0 to 82 ft/min (0 to 0.9 mph) (0 to 25 m/min (0 to 1.5 km/h))	
Max. travel speed	0 tot 328 ft/min (0 to 3.7 mph) (0 to 100 m/min (0 to 6 km/h))	
Tires		
Tire size, front (Ø x W)	1 ft 8 in x 10 in (500 x 250 mm)	
Tire size, rear (Ø x W)	1 ft 4 in x 5 in (405 x 130 mm)	
Loading of the milled material		
Belt width of primary conveyor	10 in (250 mm)	
Theoretical capacity of discharge conveyor	43.2 yd ³ (33 m ³ /h)	

*1 = The maximum milling depth may deviate from the value indicated due to tolerances and wear.

Weight of basic machine		
Empty weight of machine excluding tank contents	6,548 lbs (2,970 kg)	
Operating weight, CE *2 including supplementary weights	10,252 lbs (4,650 kg)	
Maximum operating weight (full tanks, full range of equipment)	11,464 lbs (5,200 kg)	
Weights of tank contents		
Filling of water tank	606 lbs (275 kg)	
Filling of fuel tank (6.9 lbs/gal (0.83 kg/l))	128 lbs (58 kg)	
Additional add-on weights		
Operator and tools		
Operator	165 lbs (75 kg)	
2 pick containers	110 lbs (50 kg)	
On-board tools	66 lbs (30 kg)	
Optional milling drum units in lieu of standard	Absolute weight	Add-on weight/ Reduction in weight
Ancillary parts milling drum housing FB350 - for operation with discharge conveyor	112 lbs (51 kg)	64 lbs (29 kg)
Ancillary parts milling drum housing FB500 - for operation without discharge conveyor	221 lbs (100 kg)	172 lbs (78 kg)
Ancillary parts milling drum housing FB500 - for operation with discharge conveyor	355 lbs (161 kg)	306 lbs (139 kg)
Optional milling drums in lieu of standard		
Fine milling drum FB350 HT5 LA6 with 57 picks	238 lbs (108 kg)	40 lbs (18 kg)
Microfine milling drum FB350 HT4 LA3 with 117 picks	227 lbs (103 kg)	29 lbs (13 kg)
Milling drum FB500 HT08 LA15 with 39 picks	271 lbs (123 kg)	73 lbs (33 kg)
Fine milling drum FB500 HT05 LA6 with 82 picks	353 lbs (160 kg)	154 lbs (70 kg)
Microfine milling drum gutter profile, FB150+2x25 (lateral taper) HT4 LA3 with 67 picks	214 lbs (97 kg)	15 lbs (7 kg)
Milling drum FB200+2x25 HT4 LA3 with 83 picks	216 lbs (98 kg)	18 lbs (8 kg)
Milling drum FB250+2x25 HT4 LA3 with 99 picks	221 lbs (100 kg)	22 lbs (10 kg)
Milling drum FB300+2x25 HT4 LA3 with 117 picks	221 lbs (100 kg)	22 lbs (10 kg)
Milling drum FB450+2X25 HT4 LA3 with 166 picks	315 lbs (143 kg)	117 lbs (53 kg)
Saw blade FB14 rail milling	22 lbs (10 kg)	-176 lbs (-80 kg)
Saw blade FB19 rail milling	29 lbs (13 kg)	-170 lbs (-77 kg)
Ancillary parts rail milling RI59N	126 lbs (57 kg)	126 lbs (57 kg)
Milling drum FB25 with 6 picks rail milling	38 lbs (17 kg)	-1661 lbs (-73 kg)
Milling drum FB45 with 24 picks rail milling	62 lbs (28 kg)	-137 lbs (-62 kg)
Milling drum FB80 HT02 milling depth 4 in (110 mm) with 12 picks	57 lbs (26 kg)	141 lbs (- 64 kg)
Optional supplementary weights		
Modular additional weight	3,086 lbs (1,400 kg)	3,086 lbs (1,400 kg)
Optional additional equipment		
Discharge conveyor, 6 ft 2 in (1,870 mm) long, conveyor belt width 10 in (250 mm)	276 lbs (125 kg)	276 lbs (125 kg)
Additional scraper plate FB350 required for footboard unit	40 lbs (18 kg)	0 lbs (0 kg)
Additional scraper plate FB500 required for footboard unit	49 lbs (22 kg)	0 lbs (0 kg)
Operator's platform in lowered position behind the machine	112 lbs (51 kg)	112 lbs (51 kg)
Side milling ring FB80, milling depth 7 in (180 mm)	432 lbs (196 kg)	185 lbs (84 kg)
Hydraulic hammer including 32 ft 10 in (10-m) connecting hose	82 lbs (37 kg)	82 lbs (37 kg)

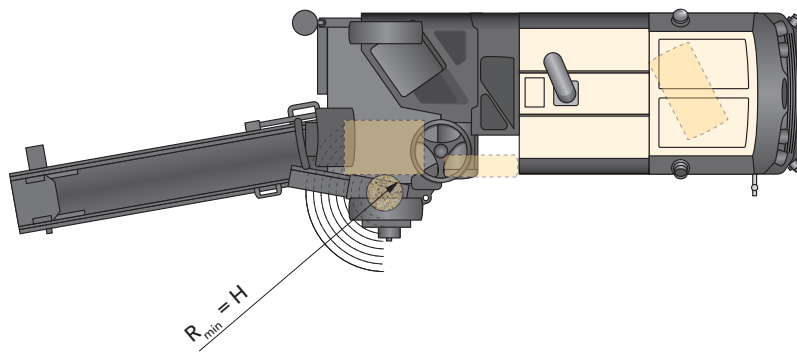
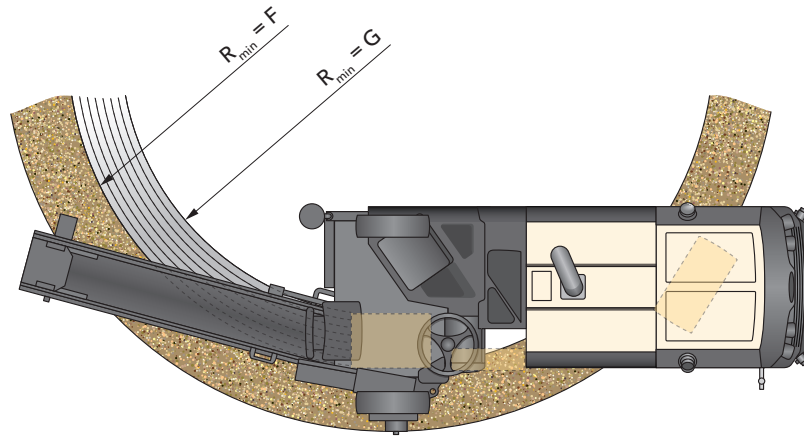
*2 = Weight of machine, half-full water tank, half-full fuel tank, operator, on-board tools, excluding optional equipment features

Dimensions



	A	B	C	D	E	FB
Standard FB350	3 ft 11 in (1,200)	2 ft 11 in (900)	3 ft 1 in (945)	1ft (310)	1 ft (295)	1 ft 2 in (350)
Optional FB500	4 ft 5 in (1,350)	2 ft 11 in (900)	3 ft 7 in (1,095)	1 ft 3 in (385)	1 ft 3 in (370)	1 ft 8 in (500)

Dimensions in American standard and mm
* = Maximum machine height with exhaust pipe removed



	F	G	H
Standard FB350	9 ft 10 in (2,990)	8 ft 8 in (2,640)	3 in (80)
Optional FB500	10 ft 4 in (3,140)	8 ft 8 in (2,640)	0 in (0)

Milling radius, milling depth 2 in (50 mm), dimensions in American standard and mm

Standard equipment

Base machine	
Basic machine with engine	■
Robust machine chassis	■
Wide opening engine covers, with gas spring support and highly effective noise insulation	■
Radiator with temperature-dependent fan speed	■
Integrated 72 gal/275 liter water tank	■
Integrated 18 gal/70 liter diesel tank	■
Loading and tie-down points integrated in the chassis	■
Exhaust post-treatment diesel oxidation catalytic converter DOC	□
Milling drum unit	
Water injection strip with on/off function for pick cooling with water pump with load-dependent control	■
Wide opening milling drum door with automatic electrical safety shut-down	■
Right side plate in hinged configuration in conjunction with centering pin system on the milling drum holder for quick and easy change of milling drums	■
The right-hand side plate can be easily lifted using the foot pedal on the operator's stand	■
Ancillary parts milling drum housing FB350 - for operation without discharge conveyor	□
Milling drums	
Milling drum FB350 HT08 LA15 with 31 picks	□
Machine control and leveling system	
WIDRIVE machine controller to reduce operator workload and increase performance	■
Mechanical milling depth display right and left	□
Operator's platform	
Flexibly mounted operator's platform the top of the machine	■
Multi-function armrest on right with up/down and front/back adjustment with joystick and various controls ergonomically arranged	■
Display for important machine parameters on the left control panel	■
Convenient operating console with practical switches	■
Convenient footstep to the operator's stand	■
Operator's stand with vibration damping	■
Steering console with adjustable inclination	■
Covers for operating panels with lock	■

- = Standard equipment
- = Standard equipment, replaceable with optional equipment
- = Optional equipment

Under-carriage and height adjustment	
Hydraulic 3-wheel all-wheel drive with hydraulic flow distributor	■
Two manually engageable milling speeds as well as one traveling gear	■
Hydraulic, easy front wheel steering	■
Hydraulic spring-loaded multi-disc brake	■
Hydraulic height adjustment with two speeds at the rear crawler units	■
Manually folding-in rear right wheel	■
Others	
Lockable tool box with set of tools for maintenance and servicing	■
Additional mount for a pick bucket	■
Device for towing away for releasing the spring-loaded multi-disc brake	■
Reversing horn	■
Extensive safety package with EMERGENCY STOP switch	■
Machine preparation for installing the control unit for WITOS® FleetView	■
European type test certificate, Euro Test-mark and CE conformity	■
Machine without additional hydraulic drive	□
Paint standard cream white RAL 9001	□
Halogen lighting package including rotary beacon	□

■ = Standard equipment
 ■ = Standard equipment, replaceable with optional equipment
 □ = Optional equipment

Optional equipment

Base machine	
Exhaust post-treatment diesel oxidation catalyst DOC with diesel particulate filter DPF	<input type="checkbox"/>
Milling drum unit	
Ancillary parts milling drum housing FB350 - for operation with discharge conveyor	<input type="checkbox"/>
Ancillary parts milling drum housing FB500 - for operation without discharge conveyor	<input type="checkbox"/>
Ancillary parts milling drum housing FB500 - for operation with discharge conveyor	<input type="checkbox"/>
Milling drums	
Milling drum FB500 HT08 LA15 with 39 picks	<input type="checkbox"/>
Side milling ring, FB80 (2 ft 8 in), milling depth 180 mm (7 in)	<input type="checkbox"/>
Ancillary parts rail milling Ri59N	<input type="checkbox"/>
Milling drum FB25 with 6 picks rail milling	<input type="checkbox"/>
Milling drum FB45 (1 ft 6 in) with 24 picks rail milling	<input type="checkbox"/>
Saw blade FB14 (5 in) rail milling	<input type="checkbox"/>
Saw blade FB19 (7 in) rail milling	<input type="checkbox"/>
Adapter with saw blade FB14 (5 in), milling depth 100 mm (4 in)	<input type="checkbox"/>
Adapter with saw blade FB19 (7 in), milling depth 100 mm (4 in)	<input type="checkbox"/>
Fine milling drum FB350 HT5 LA6 with 57 picks	<input type="checkbox"/>
Microfine milling drum FB350 HT4 LA3 with 117 picks	<input type="checkbox"/>
Microfine milling drum gutter profile, FB150+2x25 (lateral taper) HT4 LA3 with 67 picks	<input type="checkbox"/>
Milling drum FB200+2x25 HT4 LA3 with 83 picks	<input type="checkbox"/>
Milling drum FB250+2x25 HT4 LA3 with 99 picks	<input type="checkbox"/>
Milling drum FB300 + 2x25 (12 in + 2x 1 in) HT4 LA3 with 117 picks	<input type="checkbox"/>
Milling drum FB80 (3 in) HT02 milling depth 110 mm with 12 picks	<input type="checkbox"/>
Fine milling drum FB500 HT05 LA6 with 82 picks	<input type="checkbox"/>
Milling drum FB450 +2x25 (18 in + 2x 1 in) HT4 LA3 with 166 picks	<input type="checkbox"/>
Milled-out material loading	
Discharge conveyor, 6 ft 1 in/1,870 mm long, conveyor belt width 8 in/250 mm, includes rope winch height adjustment	<input type="checkbox"/>
Connection pipe 4 in/Ø 120 mm for dust extraction	<input type="checkbox"/>

- = Standard equipment
- = Standard equipment, replaceable with optional equipment
- = Optional equipment

Machine control and leveling system	
LEVEL PRO PLUS leveling system right and left	<input type="checkbox"/>
Pre-programmable height positions with automatic positioning	<input type="checkbox"/>
Preliminary equipment for laser leveling with two laser receiver - without laser transmitter	<input type="checkbox"/>
RAPID SLOPE lateral tilt sensor for LEVEL PRO PLUS leveling system	<input type="checkbox"/>
Operator's platform	
Equipment of the operator's platform with a standing seat	<input type="checkbox"/>
Additional scraper plate FB350 required for footboard unit	<input type="checkbox"/>
Additional scraper plate FB500 required for footboard unit	<input type="checkbox"/>
Operator's platform in lowered position behind the machine	<input type="checkbox"/>
Others	
Hydraulic drive for discharge conveyor or hydraulic jack hammer	<input type="checkbox"/>
Paint in one special color (RAL)	<input type="checkbox"/>
Paint in two special colors (RAL)	<input type="checkbox"/>
Paint in maximum two special colors with substructure in special color (RAL)	<input type="checkbox"/>
High-power lighting package LED including rotating beacon	<input type="checkbox"/>
Modular additional weight 3,086 lbs/ 1,400 kg	<input type="checkbox"/>
Hydraulic hammer including 32 ft 8 in/ 10-m connecting hose	<input type="checkbox"/>
WITOS® FleetView telematics system incl. 3-year operating period	<input type="checkbox"/>

= Standard equipment
 = Standard equipment, replaceable with optional equipment
 = Optional equipment

 **WIRTGEN GROUP**

WIRTGEN AMERICA Inc.
6030 Dana Way · Nashville, TN 37013, USA
Phone: (615) 501-0600 · Fax: (615) 501-0691
Internet: www.wirtgenamerica.com

